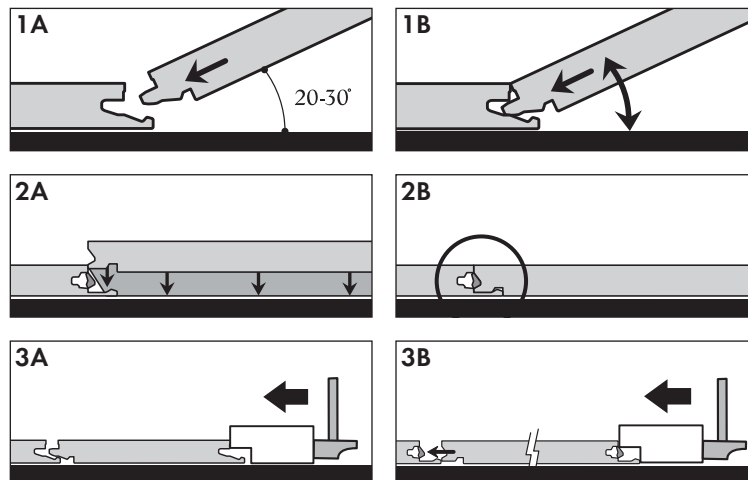


EN Laying instructions for Quick-Step® Uniclic® Multifit parquet

GENERAL

Uniclic® Multifit is a revolutionary system for laying composite parquet. The panels can easily be clicked together, thanks to its ingenious form of tongue & groove. Uniclic® Multifit is unique because you can lay the planks in three different ways:

- A. Click together at an angle of 20 – 30° (*illustration 1A - 1B*)
- B. Press down on the short side (*illustration 2A - 2B*)
- C. Push together horizontally (in difficult situations) with the Uniclic® Multifit tapping block (*illustration 3A - 3B*)



BEFORE YOU START

For a good result, you must follow the instructions carefully.

It is important to check all panels for defects or damage in daylight before and during laying. Damaged panels must certainly NOT be laid.

- Acclimatisation

The floor has been dried beforehand to the optimum wood humidity level. For this reason, the flooring panels must be acclimatised in their packaging for a couple of days in the room where the wooden floor will finally be laid – in summer, at least 48 hours and in winter 4 to 5 days. This will enable the floor to adapt to the local conditions.

- Ambient temperature and Relative Air Humidity

The best conditions for laying are a temperature of between 18 and 20° C and a relative air humidity level of between 45 and 65%. A relative air humidity level of between 45 and 65% is important for a wooden floor after laying as well. During the winter months, the air in a room is usually extremely dry. For this reason, it is best to place humidifiers on the radiators to obtain a constant humidity level. For large rooms, electric humidifiers will probably be necessary. In summer and autumn, when there is a high relative humidity, the room should be well ventilated.



- Floor base

Make sure that the floor base is flat, clean, firm and dry.

- Screed: *In a new building*

The screed must be dry. With cement-bound screed the humidity content is 2.5% max. (according to CM method) and 0.5% with an anhydrite-bound screed. A guideline for the drying time of a newly-spread screed is ± 1.5 weeks per centimetre of thickness, with sufficient ventilation. With thicknesses of more than 6 cm, a minimum of 3 weeks more per cm extra should be calculated. The floor base may not contain any unevennesses of more than 5 mm per 2 metres AND 1 mm per 20 cm. Larger irregularities must be evened out.

Other guidelines apply for screed laid on top of floor heating (see further) In the case of gluing, the floor base must be suitable for this, in accordance with the generally recognised rules and instructions of the profession. The floor base must be sufficiently dry, hard and homogenous.

- Screed: *existing screed and renovation*

In the case of gluing, the existing floor covering must be entirely removed.

- Laying a 'floating' floor:

- In the case of damp-proof flooring (PVC, linoleum etc.), Quick • Step® Uniclic® Multifit parquet may be installed on the existing floor covering.
- Remove any damp-open floor covering (carpet, needle felt, etc) first.

- Existing plank floor or sheeting or sub-parquet

First remove the existing floor covering above the plank floor. The planks must be firmly anchored and flat. In addition, there must be no signs of mould and/or insect infestations. The new plank floor must be laid in the opposite direction to the old plank floor. The wood must have a humidity level of between 8 and 10%. Any crawl-space under the floor must be sufficiently ventilated. Remove any obstacles and make sure there is sufficient ventilation (= minimum 4 cm² total ventilation openings per m² of floor).

- Existing tiled floor

A new parquet floor can also be laid on top of an old tiled floor. In this case, the parquet should not be glued to the tiled floor, but laid 'floating'.

WHAT YOU WILL NEED

In addition to the standard tools (such as a hammer, saw, pencil, tape measure) for laying wooden floors, you will need the following accessories:

- Installation kit (crowbar, spacers and a tapping block suitable for Uniclic® Multifit parquet);
- Underfloor system
- Maintenance products.

The use of accessories other than Quick • Step® accessories may cause damage to your Quick • Step® floor.

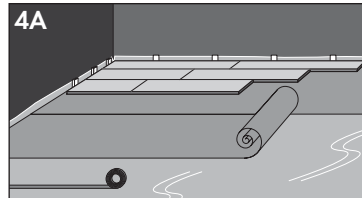
In this case, the warranty offered by Quick • Step® will no longer be valid. For this reason we would advise you to use only Quick • Step® accessories, which have been specially designed and tested for use with Quick • Step® floorboards.

Of course, you will have to saw the boards. For a clean saw-cut, you must keep the top surface of the plank underneath when sawing with a jigsaw or handheld circular saw and on top when using a hand saw or cross-cut saw.

THE UNDERFLOOR

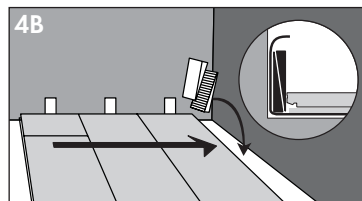
The Quick • Step® Uniclic® Multifit parquet underfloor system

It is vital that you use a levelling underfloor to smooth away any unevenness in the base floor. In most cases, a damp-inhibiting foil should be used against rising damp or condensation. Use ONLY one of the Quick • Step® Uniclic® Multifit parquet underfloor systems appropriate to the desired levelling capacity and the desired thermal or acoustic insulation. These underfloors have a damp-inhibiting layer built in. (illustration 4A)



INSTALLATION – FLOATING

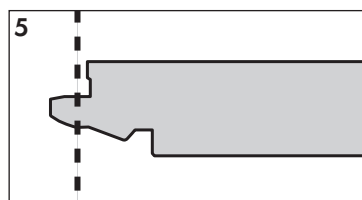
Wood is the main component of Quick • Step® Uniclic® Multifit parquet. Because room humidity can vary – for example, between summer and winter – it is vital that the floor is able to expand and contract. Expansion and contraction are linear, so the greater the surface area, the greater the tolerances need to be. The floor has to be able to expand or contract in ANY direction. To allow this, the expansion gap in walls needs to be from 10 mm to 15 mm. (illustration 4B). This gap is also necessary wherever there is a through pipe or a threshold.



With lengths of more than 12 m and widths of more than 8 m, there should be an intermediate expansion joint. Remember that the floor may move in one direction. In any case, make sure there is an expansion joint between different rooms (under doors, for example). These joints are covered with a profile attached to the base floor rather than the parquet. It is preferable to lay the panels in the same direction as the longest wall and the way the light falls (visually more attractive). You can start to lay the floor in a corner or in the middle of the room. You can furthermore work from right to left or vice versa.

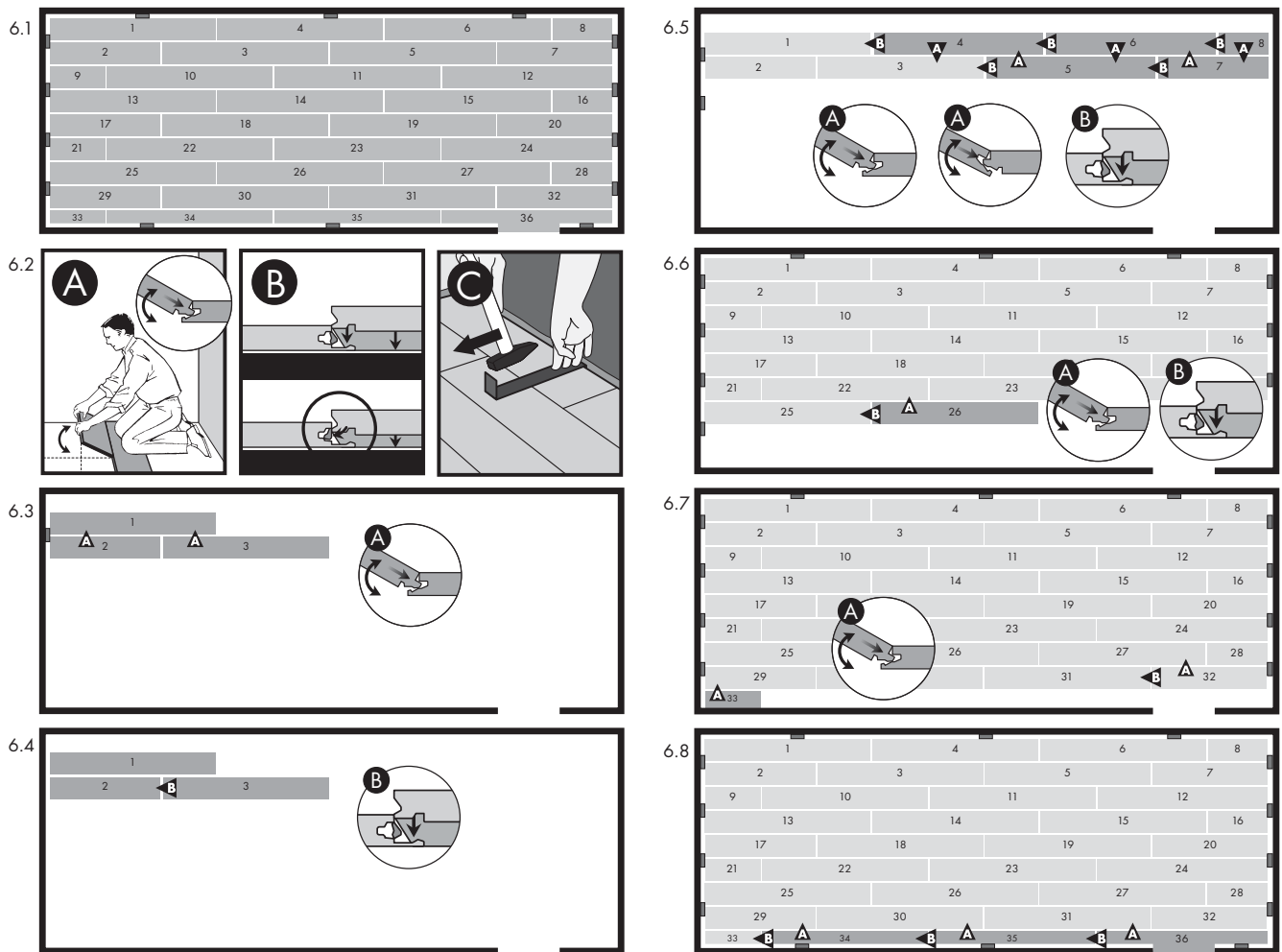
The first three rows

Start the first with a complete plank. Saw off both the long and the short tooth from the first panel. (illustration 5).



Laying correctly

(illustration 6).

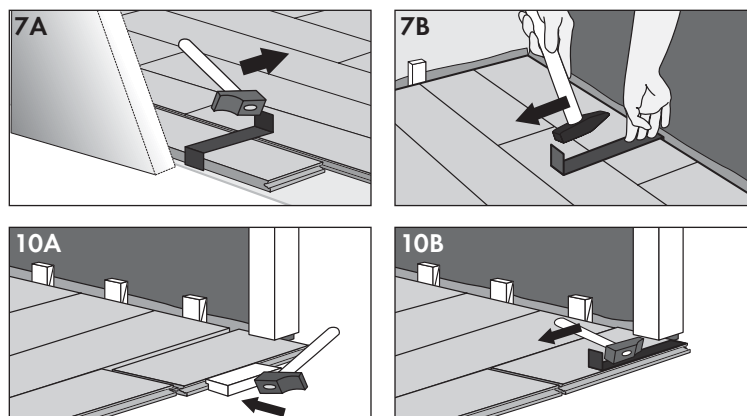


The final row

There should also be a 10 mm expansion joint between the final row and the wall. Keep this in mind when sawing the long sides of the last row of panels.

In places where it is difficult to lay the Uniclic® Multifit planks you can use the tapping block or the crowbar and a hammer. (e.g. next to a wall)

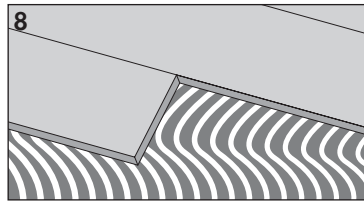
(illustration 7A - 7B - 10A - 10B).



INSTALLATION – Glued

Alternatively, Quick • Step® Uniclic® Multifit parquet can also be glued entirely to the base floor. Direct gluing can only be done on a screed that is suitable for this (flatness, adhesion, cracks, etc.).

(illustration 8)



The general laying instructions for Quick • Step® Uniclic® Multifit parquet as described above apply here too. The same preparations must also be made (expansion joints, underfloors, floor heating, etc.).

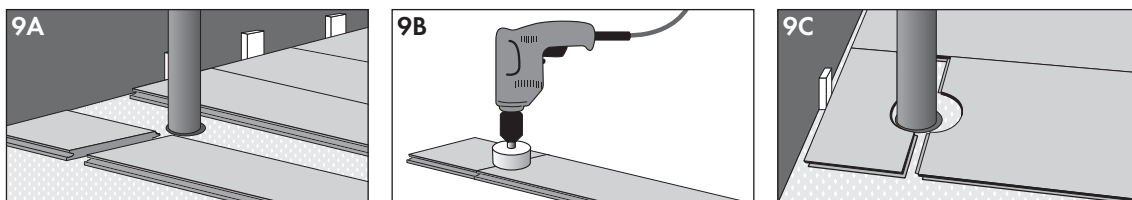
We recommend Quick • Step® “parketglue” for our parquet. Please follow the information and advice of the glue manufacturer regarding drying time, consumption, glue comb, etc. These instructions can always be found on the glue container.

When laying a floor using glue, the long side is clicked together at an angle of 20 – 30° in the previous row, while the short sides are clicked together with the new Quick • Step® Uniclic® Multifit system. This means it is no longer necessary to push the planks crosswise, so that the glue no longer seeps into the joints.

Through pipes

Make sure that in the row where there is a through pipe this pipe comes exactly at the cross joint of two panels. Take a drill bit measuring the diameter of the pipe plus 20 mm for the expansion. Click the panels together on the short side and drill a hole centred on the joint between the two panels. Now install the panels as part of the floor.

(illustration 9A - 9B - 9C).

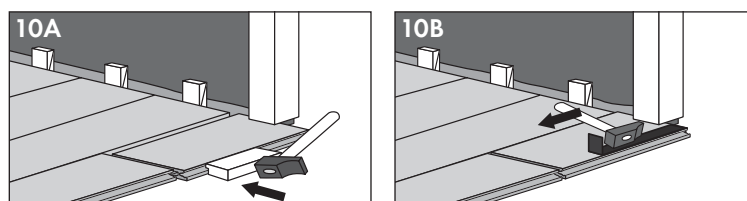


Under doorframes

Saw the panels so that after installation there is a minimum 10 mm expansion joint.

If you are unable to angle the panel, use a crowbar or tapping block and hammer to tap the panels together.

(illustration 10A - 10B).



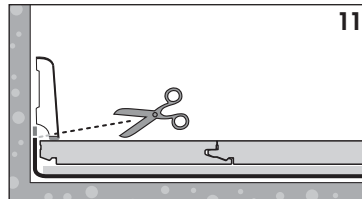
Finishing

When laying a 'floating' floor, you can walk on it immediately afterwards and start finishing. That's one of the major benefits of the Uniclic® Multifit system.

If you are gluing your floor, try to walk as little as possible on the glued section during laying. Observe the prescribed waiting time after laying mentioned on the glue container before walking on the floor.

- Remove all spacers.
- Place the skirting boards against the plastic foil projecting upwards from the floor (floating method). Never affix the skirting boards or profiles to the parquet floor, so that the floor can expand or shrink unhindered.
- For a perfect finish around pipes use elastic paste such as Quick • Step® Kit.
- In places where profiles and skirting boards cannot be placed, fill expansion gaps with Quick • Step® Kit.

(illustration 11)



FLOOR HEATING

Quick • Step® Uniclic® Multifit parquet can be used in conjunction with 'low temperature' floor heating. This is true for underfloor heating systems with heating components - hot water or electric - embedded in the floor. Heating films or other "new" systems are not always suitable. A combination of heating in winter and cooling in summer can for technical and physical reasons be problematic in combination with organic floorings in general and with parquet in particular.

Quick • Step® Uniclic® Multifit parquet beech and maple floors are very sensitive to shrinking and are therefore NOT suitable for laying on heated floors. Quick • Step® Uniclic® Multifit parquet can only be glued on heated floors. Use only Quick • Step® parquet glue for this purpose.

The floor heating must be installed in accordance with the supplier's instructions and the generally accepted instructions and rules.

The base floor must be sufficiently DRY (maximum 1.5% CM method) when installing the floor covering. This will only be achieved by turning on the heating beforehand. In the case of a new building, you must wait at least 21 days between spreading the screed and starting the heating. With newly-spread screed, follow the guidelines of your installer. A heating protocol should be presented; ask for it if necessary.

Start the floor heating at least two weeks before laying your parquet. Raise the water temperature in the boiler gradually by no more than 5 °C per day to 50 °C. If you can leave the heating on for longer, this would certainly be better.

Turn off the heating completely before laying your floor. The maximum floor temperature is 18 °C.

AFTER laying your floor, you must wait AT LEAST 48 hours before restarting the heating, gradually (5 °C per day).

The maximum permitted contact temperature of the parquet is 27 °C.

The maximum hot water temperature is 50 °C.

ALWAYS change the temperature GRADUALLY at the start and end of a heating period.

Make sure that the relative air humidity in the rooms is not too dry (see above).

- Always avoid heat accumulation by carpets or rugs or by leaving insufficient space between furniture and the floor.
- Open joints may appear during the heating season.

PRECAUTIONS

Wood is a natural product. The structure and colours in wood may vary. For this reason it is best to mix several boards from different packs when laying.

As with any natural product, sunlight can cause colour variations in the wood's surface.

- Use felt or plastic caps to protect furniture and chair legs.
- Avoid bringing in dirt, water and sand from outside by using a doormat.
- Use office chairs with soft wheels Type W (EN 12590), suitable for parquet or install an appropriate office mat.

MAINTENANCE

The "daily" maintenance of your Quick • Step® Uniclic® Multifit parquet floor is best done with a vacuum cleaner and/or with the Quick • Step® maintenance kit.

For light, damp cleaning we recommend the Quick • Step® maintenance kit: spray the Quick • Step® maintenance product on the Quick • Step® duster (see instructions on the container).

Always wipe dry immediately until no more moisture is visible on the floor.

Attention! not all maintenance products for parquet floors are actually sufficiently suitable for this purpose. You can only be sure of a good, problem-free result with Quick • Step® maintenance products.